

VX BOARDS



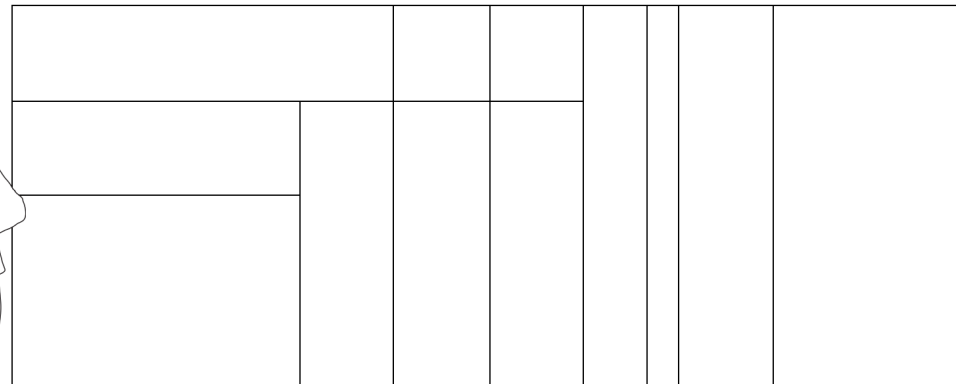
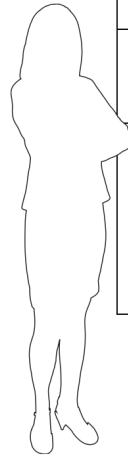
LX6 DESIGNER MAGNETIC WHITEBOARD



LX6 DESIGNER MAGNETIC WHITEBOARDS

DIMENSIONS DESIGNER MAG WHITEBOARD
(MM)

LX6-9060	0900 x 0600
LX6-9090	0900 x 0900
LX6-1290	1200 x 0900
LX6-1212	1200 x 1200
LX6-1590	1500 x 0900
LX6 1512	1500 x 1200
LX6-1890	1800 x 0900
LX6-1812	1800 x 1200
LX6-2012	2000 x 1200
LX6-2412	2400 x 1200
LX6-3012	3000 x 1200 (custom)



COMES WITH:
300MM ADHERABLE ALUMINIUM PEN TRAY (FOR WIDTHS UP TO 1200MM)
800MM ADHERABLE ALUMINIUM PEN TRAY (FROM WIDTHS 1200MM)

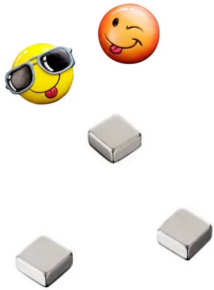
MAGNETIC PEN TRAY (option)
REMOVAL WHITE STRONG MAGNETIC PEN TRAY 600 X 60 X 50MM

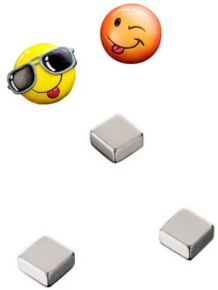
WHITEBOARD IS MANUFACTURED FROM 0.3MM ZINC PLATED STEEL SHEET.
RELIABLY STRONG MAGNETIC WHITEBOARD SURFACE
SLEEK FIT AGAINST WALL FOR SEAMLESS INTEGRATION INTO ANY SPACE

DRY ERASABLE USING GOOD QUALITY WHITEBOARD MARKERS
CAN BE CLEANED WITH NON-ABRASIVE ERASERS AND SOFT CLOTHS
APPROVED ALCOHOL BASED CLEANING IS REQUIRED PERIODICALLY



VX BOARDS



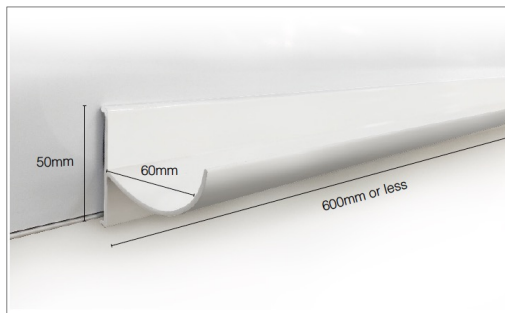


VX BOARDS

LX6 DESIGNER MAGNETIC WHITEBOARDS

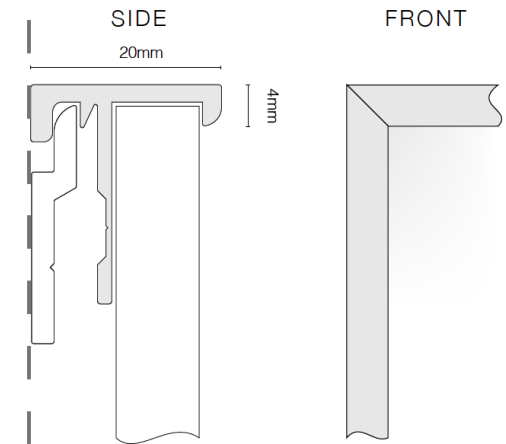


PEN TRAY STANDARD INCLUDED - SIZED TO SUIT BOARD (standard)

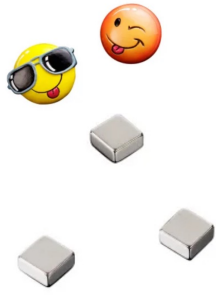


OPTIONAL COST MAGNETIC PEN TRAY - TO ORDER AT THE SAME TIME (designer)

TWELVE STANDARD SIZES (3000 X 1200 IS CUSTOMISED). DESIGNED WITH NO VISIBLE FIXINGS. CAN BE BUTT JOINED HORIZONTALLY FOR SEAMLESS FEATURE...



FLAT TO THE WALL MOUNTING



VX BOARDS

LX6 DESIGNER MAGNETIC WHITEBOARDS



CAN BE BUTT JOINED PROVIDING A SEAMLESS LOOK...



VX BOARDS



WHITEBOARD KIT FEATURES VA800W: [REF #55]

8 X DRY ERASE WHITEBOARD CHISEL MARKERS
1 X STRONG MAGNETIC ERASER
1 X 237ML BOARD CLEANING SPRAY
1 X MICROFIBRE CLOTH



BAMBOO CUP MAGNETIC [REF #33]
SINGLE ITEM



SUPER SKITTLE MAGNETS ASSORTED 18 IN PERSPEX BOX [REF #44]
SINGLE PACKET



MAGNETIC PHOTO FRAMES 3.5 X 3.5 [REF #22]
SINGLE FRAME