



V7 TABLES



TABLE DESIGN: VARY SPLIT POST

TWO FRAME DESIGNS: NARROW AND WIDE STANCE

ALL IMAGES ARE ILLUSTRATIVE

VYSTAN INTERIORS | T 89417774 | E: SALES@VYSTAN.COM

Brochure is not for duplication without permission. Images are copyright. VYSTAN

TABLE DESIGN: VARY SPLIT POST

BLACK TEXTURE AND WHITE PEARL



V7 TABLES

ALL IMAGES ARE ILLUSTRATIVE

VYSTAN INTERIORS | T 89417774 | E: SALES@VYSTAN.COM

Brochure is not for duplication without permission. Images are copyright. VYSTAN

TABLE DESIGN: VARY SPLIT POST

TABLE CONFIGURATIONS:
NARROW WITH HIGH SPLIT FEET
WIDE STANCE WITH LOW SPLIT FEET

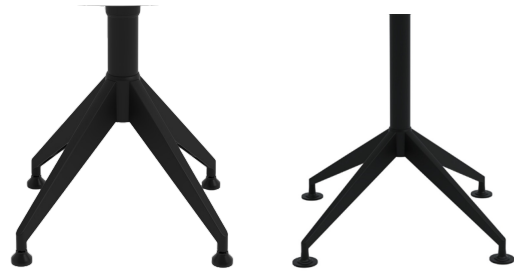
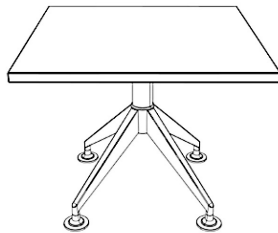


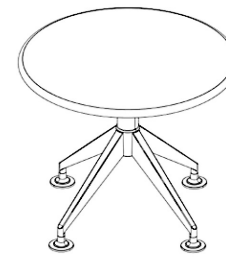
Table Configurations



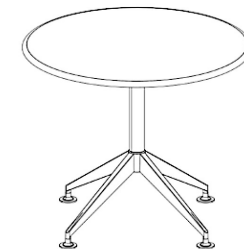
Square - Narrow Stance



Square - Wide Stance



Round - Narrow Stance



Round - Wide Stance

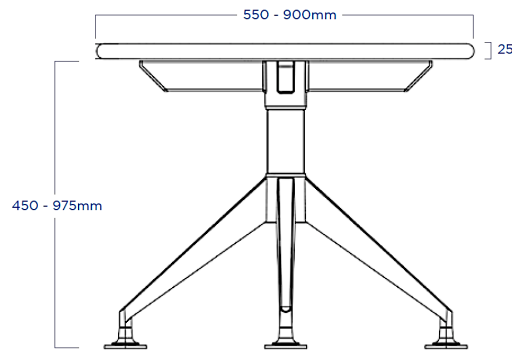
V7 TABLES

ALL IMAGES ARE ILLUSTRATIVE

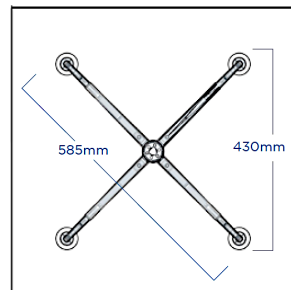
VYSTAN INTERIORS | T 89417774 | E: SALES@VYSTAN.COM

TABLE DESIGN: VARY SPLIT POST

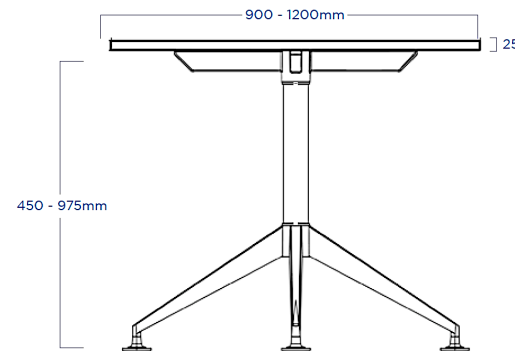
Frame Size



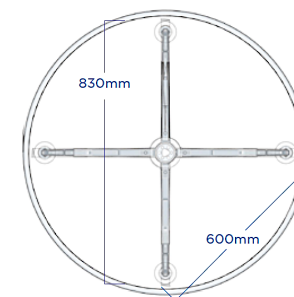
Square & Round - Narrow Stance



FRAME SIZE:
HEIGHT DIMENSION FROM 450MM TO 975MM (PLUS TOP)
NARROW STANCE FOR TOPS 550 TO 900MM ROUND OR SQUARE
WIDE STANCE FOR TOPS 900 TO 1200MM ROUND OR SQUARE



Square & Round - Wide Stance



V7 TABLES

ALL IMAGES ARE ILLUSTRATIVE

VYSTAN INTERIORS | T 89417774 | E: SALES@VYSTAN.COM

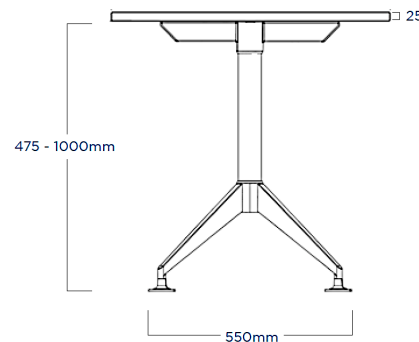
Brochure is not for duplication without permission. Images are copyright. VYSTAN

TABLE DESIGN: VARY SPLIT POST

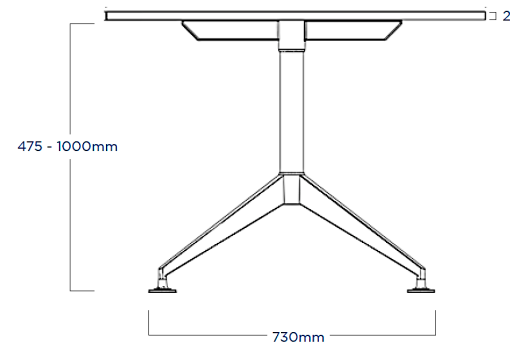
FRAME DIMENSION

HEAVY DUTY CASTORS / REPLACES GLIDES
OVERALL HEIGHT WILL CHANGE TO 750MM

Foot Size



Narrow Stance



Wide Stance - Outer Foot



V7 TABLES

ALL IMAGES ARE ILLUSTRATIVE

VYSTAN INTERIORS | T 89417774 | E: SALES@VYSTAN.COM

FINISHES

TYPICAL LEAD TIME: ALLOW 2 - 4 WEEKS

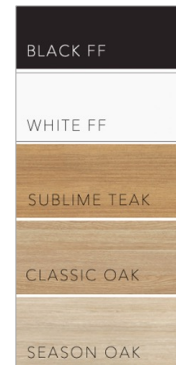
ALL IMAGES ARE ILLUSTRATIVE

FINISHES

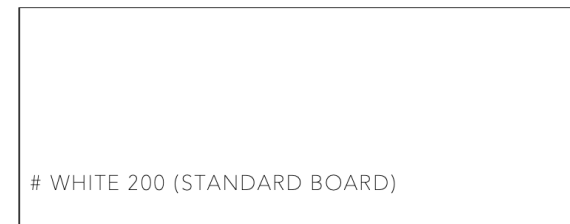
WORK TOP HOUSE FINISHES

BLACK WITH BLACK EDGE
WHITE WITH WHITE EDGE

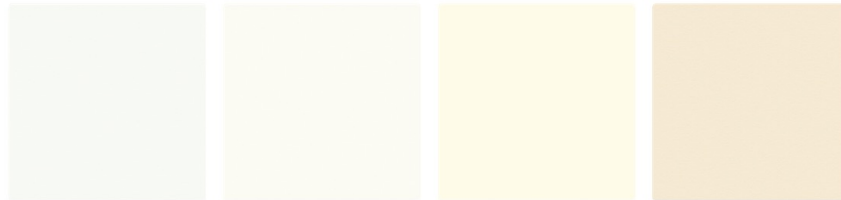
LAMINEX TIMBER SUBLIME TEAK (MATCH EDGE)
LAMINEX TIMBER CLASSIC OAK (MATCH EDGE)
LAMINEX TIMBER SEASON OAK (MATCHING EDGE)



FOR QUICKSHIP WHITE 200



FINISHES

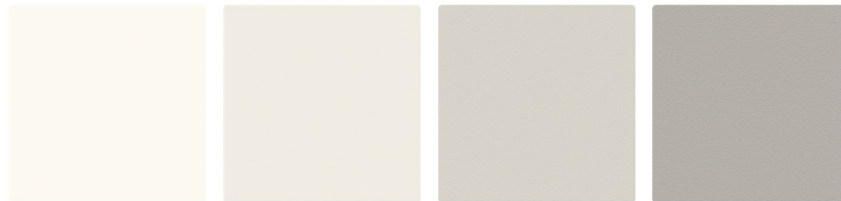


Polar White
F

White
F, NU

Parchment
F

Moleskin
F



Ghostgum
F

Aries
F

Oyster Grey
F

Fox
F



Tornado
F

Lava Grey
N

Moose
N

Fossil
F



Battalion
F

Charcoal
F

Terril
F

Black
F, NU

FINISHES

OTHER FINISHES: LAMINEX COMMERCIAL

ALL IMAGES ARE ILLUSTRATIVE (view actual sample before final selection)

VYSTAN INTERIORS | T 89417774 | E: SALES@VYSTAN.COM

Brochure is not for duplication without permission. Images are copyright. VYSTAN

FINISHES



Alaskan
N, NU

Milkwood
N

Seasoned Oak
N, C

Oyster Linea
N, NU



Dansk Maple
F

Raw Birchply
N, C

Silver Ash
F

Young Beech
F



Rock Maple
N

Curly Birch
F

Elegant Oak
N, C

Select Beech
F



Sublime Teak
N, C

Classic Oak
N, NU

Rural Oak
N, C

Natural Walnut
N, C

FINISHES

OTHER FINISHES: LAMINEX COMMERCIAL

ALL IMAGES ARE ILLUSTRATIVE (view actual sample before final selection)

VYSTAN INTERIORS | T 89417774 | E: SALES@VYSTAN.COM

Brochure is not for duplication without permission. Images are copyright. VYSTAN

FINISHES



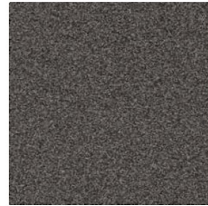
Zincworks
N



Fox Teakwood
N, C



New Graphite
F



Greystone
F



Burnished Wood
N, NU



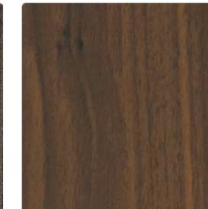
Black Birchply
N, C



Lustrous Elm
N, NU



Licorice Linea
N



Milano Walnut
F



Jarrah Legno
N, C

FINISHES

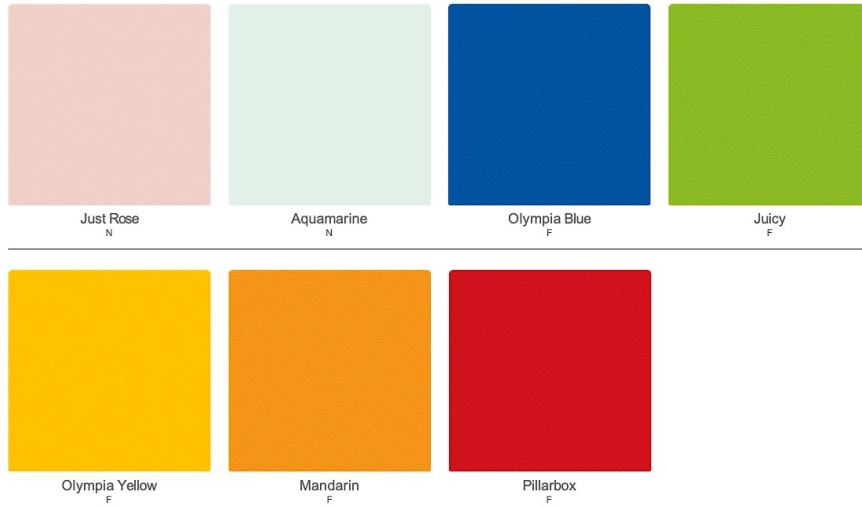
OTHER FINISHES: LAMINEX COMMERCIAL

ALL IMAGES ARE ILLUSTRATIVE (view actual sample before final selection)

VYSTAN INTERIORS | T 89417774 | E: SALES@VYSTAN.COM

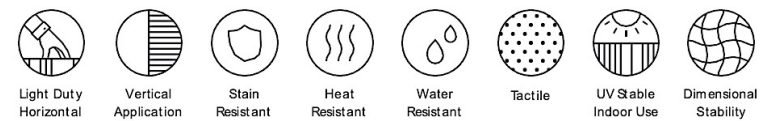
Brochure is not for duplication without permission. Images are copyright. VYSTAN

FINISHES



FINISHES
OTHER FINISHES: LAMINEX COMMERCIAL

Laminex Large Format Commercial Features



Legend N Natural Finish F Flint Finish C Chalk Finish NU Nuance Finish

ALL IMAGES ARE ILLUSTRATIVE (view actual sample before final selection)

VYSTAN INTERIORS | T 89417774 | E: SALES@VYSTAN.COM

Brochure is not for duplication without permission. Images are copyright. VYSTAN

FINISHES

HEIGHT DIMENSION FROM 450MM TO 975MM (PLUS TOP)

SIDE TABLE AND STANDING HEIGHT FRAME IS CUSTOM (AT ADDITIONAL COST)



ALL IMAGES ARE ILLUSTRATIVE (view actual sample before final selection)

VYSTAN INTERIORS | T: 89417774 | E: SALES@VYSTAN.COM

Brochure is not for duplication without permission. Images are copyright. VYSTAN

FINISHES

HEIGHT DIMENSION FROM 450MM TO 975MM (PLUS TOP)
SHOWN STANDARD TABLES WIDE STANCE



ALL IMAGES ARE ILLUSTRATIVE (view actual sample before final selection)

VYSTAN INTERIORS | T 89417774 | E: SALES@VYSTAN.COM

Brochure is not for distribution without permission. Images are copyright. Int. VVS 2019