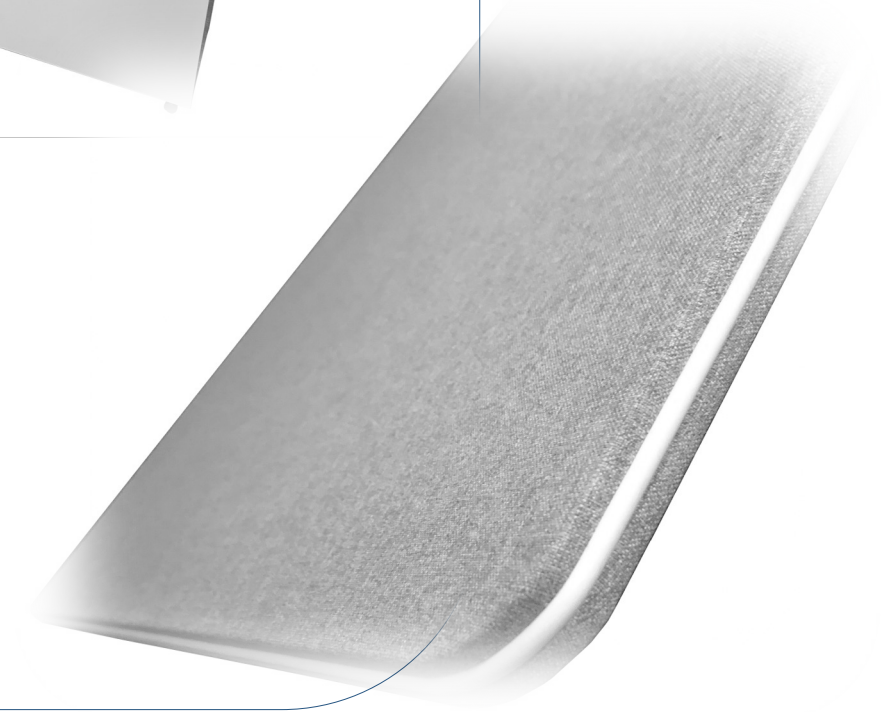


OUR SYSTEM FURNITURE INCLUDES: WORKSTATIONS, STORAGE AND ACCESSORIES

OUR TEAM STRIVE TO RAISE THE STANDARD TO PROVIDE A SEAMLESS INSTALLATION EXPERIENCE AND POSITIVE BACK-UP SERVICE

WE HAVE OVER 33 YEARS IN THE COMMERCIAL FURNITURE INDUSTRY - SERVICING DARWIN AND NT REGIONAL CENTERS...

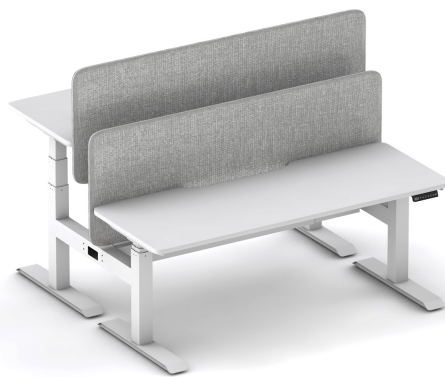




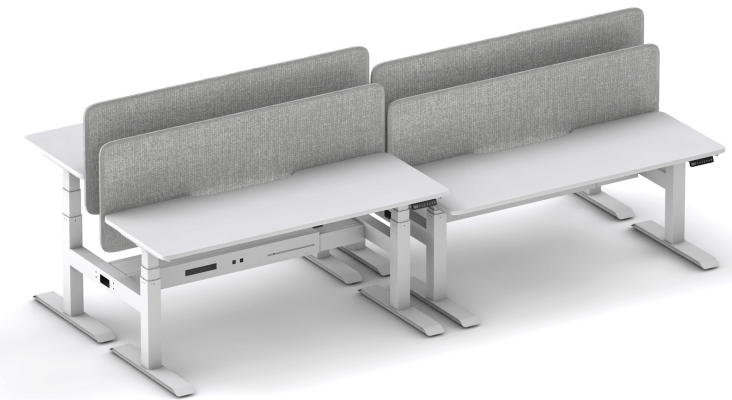
ABOUT WORKSTATIONS: TYPICAL CONFIGURATION STRAIGHT WORKSTATIONS



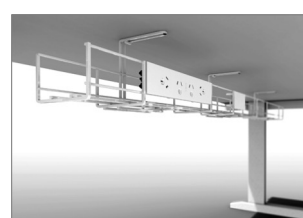
V20 S2S 1875/DMS SUNDAY69
SINGLE STRAIGHT / CABLE BASKET



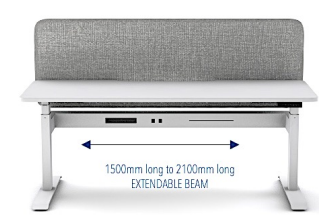
V20 S2S-B2B 1875/DMS SUNDAY69
STRAIGHT BACK-TO-BACK



V20 S2S-B2B-4POD 1875/DMS SUNDAY69
STRAIGHT BACK-TO-BACK POD

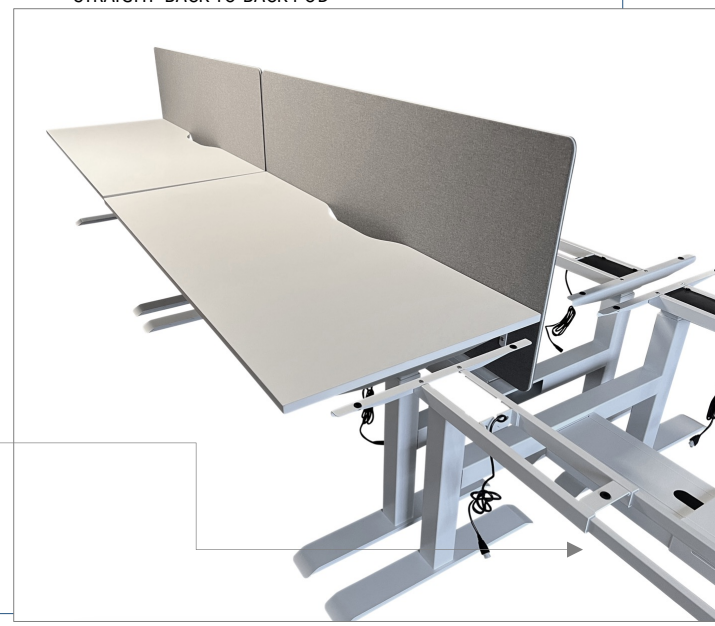


^ SERVICES MANAGED BY WAY OF CABLE BASKET



^ SERVICES MANAGED BY BEAM (SINGLE BEAM OR SHARED BEAM - BEAM IS EXTENDABLE)

TYPICAL WORKTOP - LAMINEX WHITE 200 | TYPICAL DIMENSION STRAIGHT TOP - 1800L (MM) | TYPICAL DEPTH 750 OR 800 (MM) | OTHER SIZES 1500L X 750D AND 2100L X 800D LONG (MM)





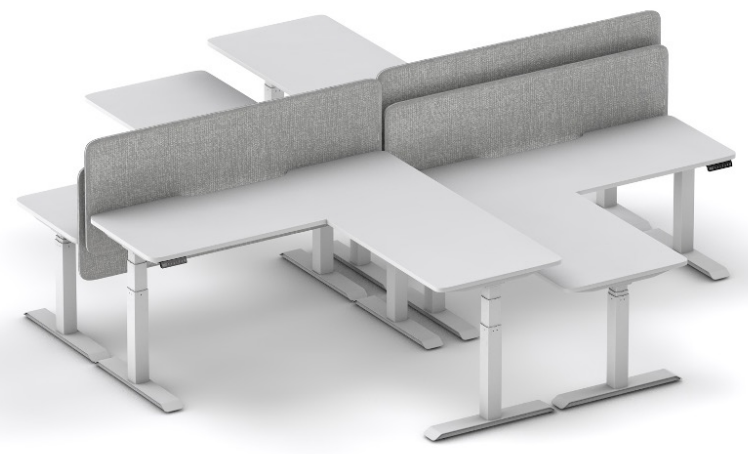
ABOUT WORKSTATIONS: TYPICAL CONFIGURATION CORNER WORKSTATIONS



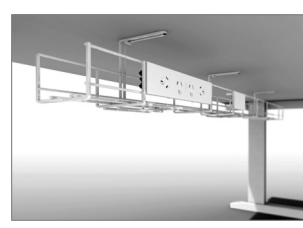
V20 S2S-CNR 1875-R10570 / DMS SUNDAY69
SINGLE CORNER 2PIECE TOP / CABLE BASKET



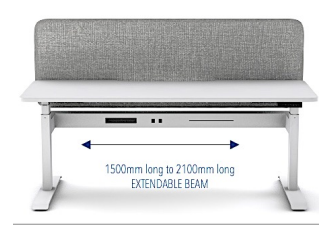
V20 S2S-CNR B2B 1875-R10570 / DMS SUNDAY69
CORNER 2PIECE TOP / SHARED BEAM BACK-TO-BACK



V20 S2S-CNR B2B POD 1875-R10570 / DMS SUNDAY69
CORNER 2PIECE TOP / SHARED BEAM BACK-TO-BACK POD



^ SERVICES MANAGED BY WAY OF CABLE BASKET

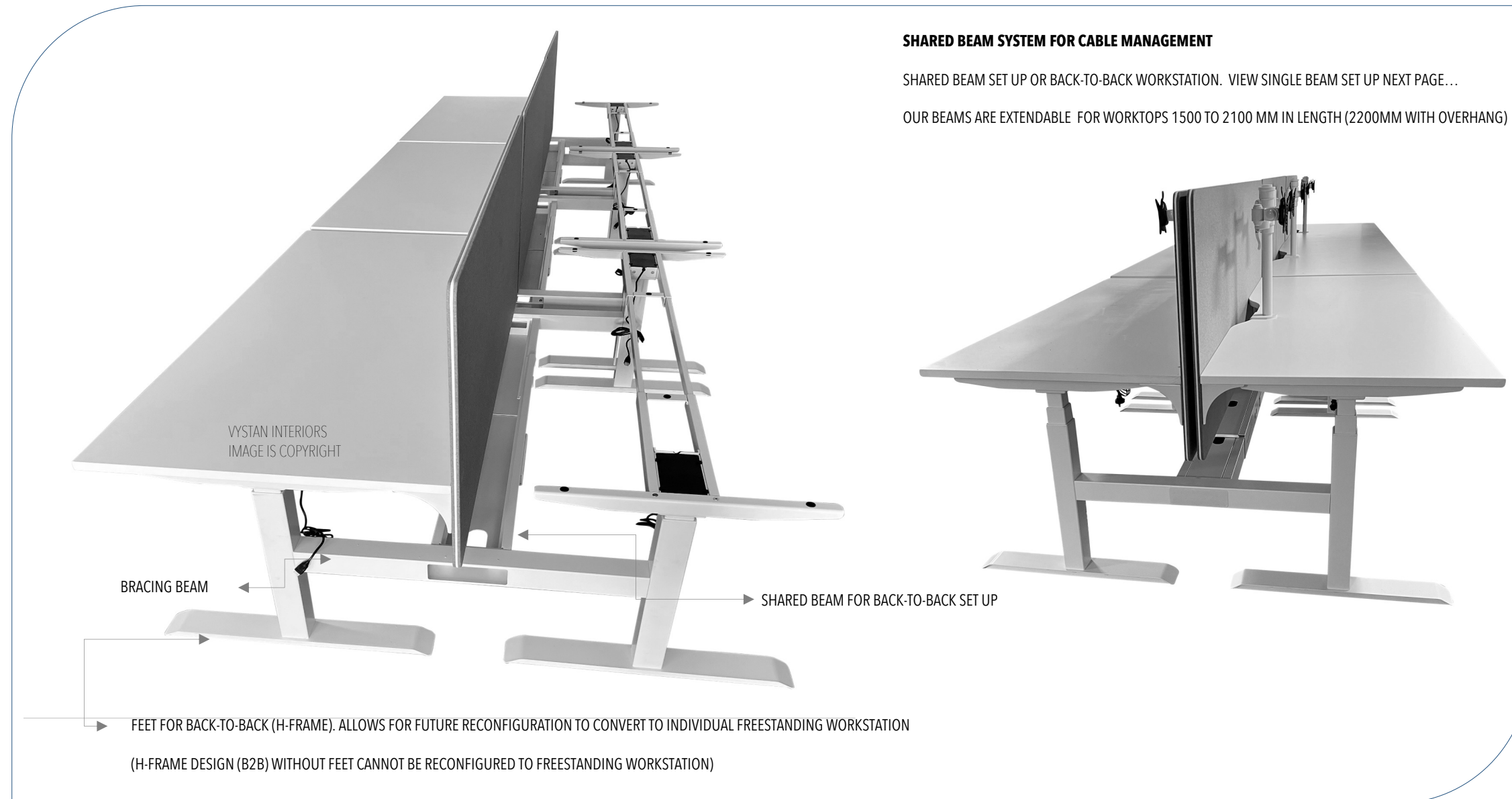


^ SERVICES MANAGED BY BEAM (SINGLE BEAM OR SHARED BEAM - BEAM EXTENDS FROM 1500-2100 MM)

TYPICAL WORKTOP - TWO PIECE | FINISH LAMINEX WHITE 200
TYPICAL DIMENSION TWO PIECE CORNER TOP - 1800 X 750 / RETURN 1050 X 700 (MM). TYPICAL DEPTH 750 OR 800 (MM). OTHER TYPICAL DIMENSION 2100 x 800 / RETURN 1000 X 700



ABOUT WORKSTATIONS: V20 WORKSTATION WITH BEAM: SINGLE AND SHARED BEAM - H-FRAME WITH FEET - BRACING BEAM FOR BACK-TO-BACK WORKSTATIONS



SHARED BEAM SYSTEM FOR CABLE MANAGEMENT

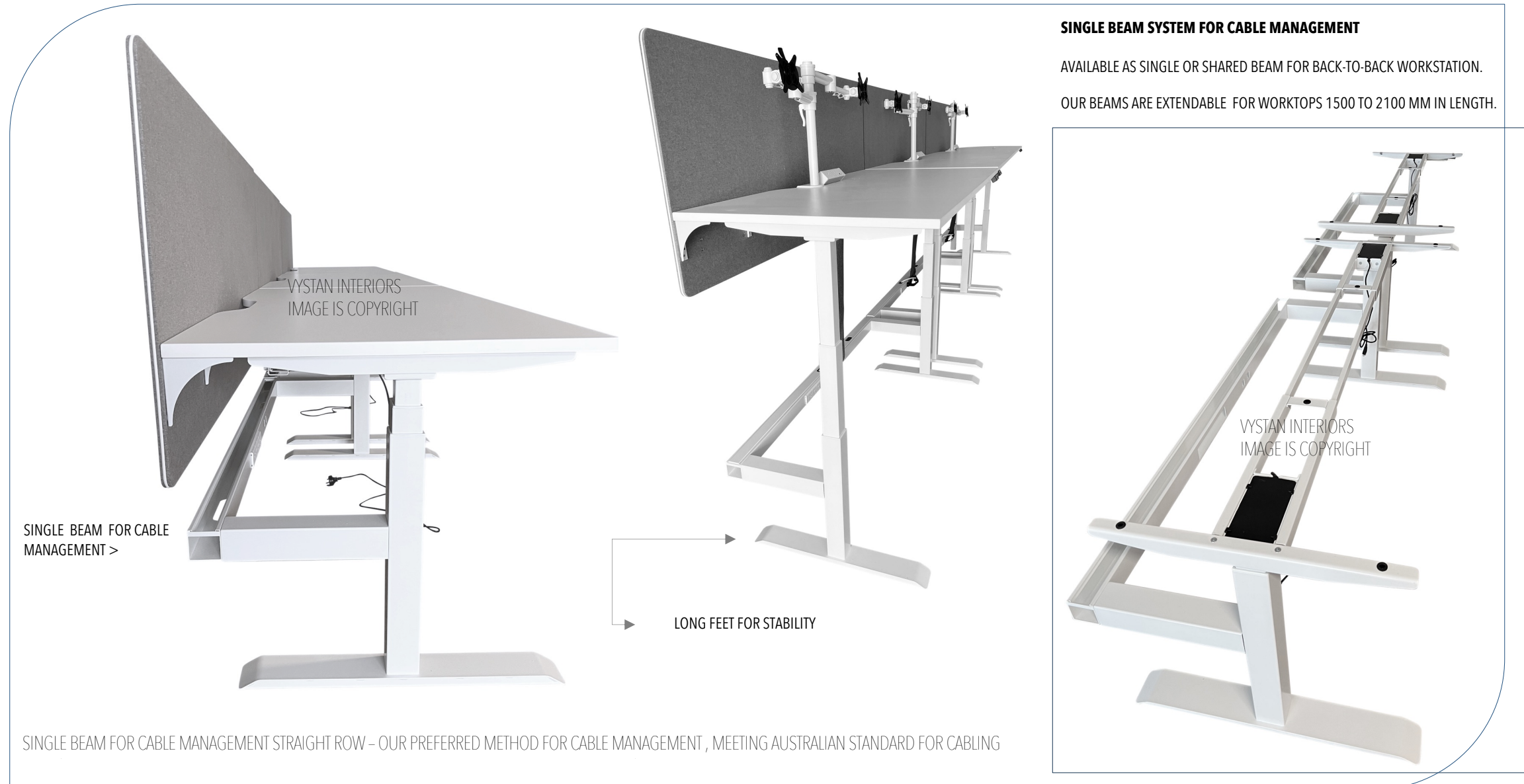
SHARED BEAM SET UP OR BACK-TO-BACK WORKSTATION. VIEW SINGLE BEAM SET UP NEXT PAGE...

OUR BEAMS ARE EXTENDABLE FOR WORKTOPS 1500 TO 2100 MM IN LENGTH (2200MM WITH OVERHANG)

OUR BEAM SETUP FOR BEST MANAGEMENT OF CABLING – SET UP MEETS AUSTRALIAN STANDARDS FOR COMMUNICATIONS CABLING.



ABOUT WORKSTATIONS: V20 WORKSTATION WITH BEAM: SINGLE AND SHARED BEAM - H-FRAME WITH FEET - BRACING BEAM FOR BACK-TO-BACK WORKSTATIONS



SINGLE BEAM SYSTEM FOR CABLE MANAGEMENT

AVAILABLE AS SINGLE OR SHARED BEAM FOR BACK-TO-BACK WORKSTATION.

OUR BEAMS ARE EXTENDABLE FOR WORKTOPS 1500 TO 2100 MM IN LENGTH.

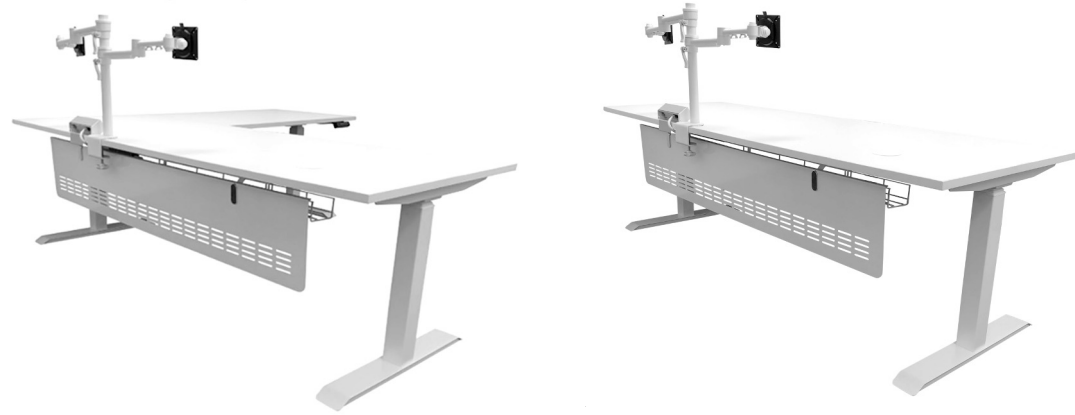
SINGLE BEAM FOR CABLE MANAGEMENT STRAIGHT ROW – OUR PREFERRED METHOD FOR CABLE MANAGEMENT , MEETING AUSTRALIAN STANDARD FOR CABLING

OUR BEAM SETUP FOR BEST MANAGEMENT OF CABLING – SET UP MEETS AUSTRALIAN STANDARDS FOR COMMUNICATIONS CABLING.

NT GOVERNMENT (ICT) REQUIREMENTS: DATA AND VOICE CABLING SPECIFICATION: AS/ACIF S008, AS/NZS 3080, AS/NZS HB27 (TO MEET INSTALLATION WARRANTY UNDER A 20/20 SYSTEM).

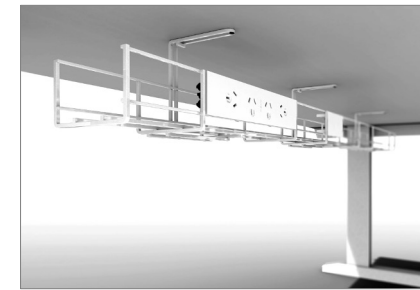


ABOUT WORKSTATIONS: V20 WORKSTATION USING CABLE BASKET | SET UP SUITED FOR SINGLE FREESTANDING OFFICE WORKSTATIONS (WITH MODESTY PANEL)

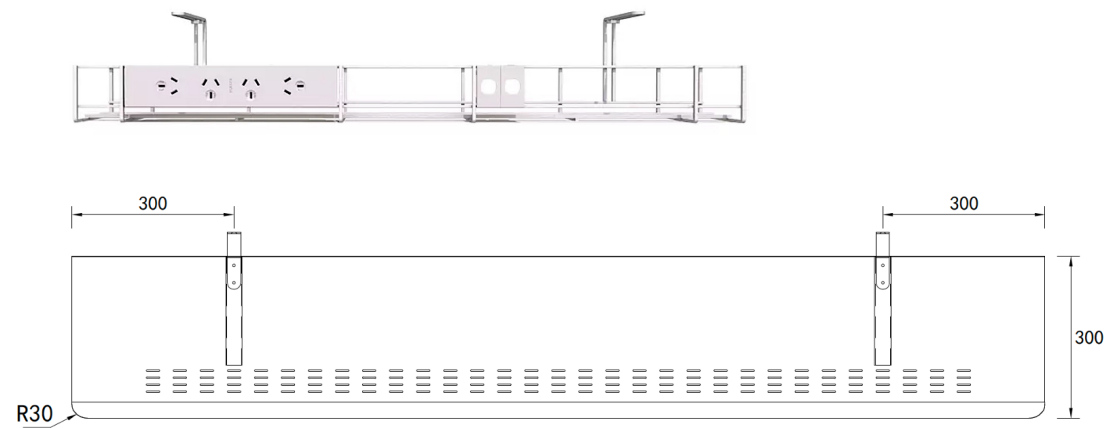


CABLE MANAGEMENT FOR SINGLE / FREESTANDING OFFICE WORKSTATIONS

SINGLE TIER CABLE BASKETS IS PREFERRED FOR SINGLE WORKSTATION SET UP
 CABLE BASKET IS FIXED TO UNDERSIDE OF WORKTOP (QUAD GPO AND LEADS AS REQUIRED)
 BEAMS FOR CABLE MANAGEMENT IS PREFERRED FOR LONGER RUNS OF WORKSTATIONS DETAILED ELSEWHERE



TYPICAL SET UP WORKSTATION DESIGN USING CABLE BASKET. WORKSTATION SET UP SHOWN WITH OUR MODESTY PANEL. MODESTY PANEL OR DESK MOUNT SCREEN IS OFFERED FOR PRIVACY



CABLE MANAGEMENT FOR SINGLE FREESTANDING OFFICE WORKSTATIONS:
 SINGLE TIERED CABLE BASKETS WITH QUAD GPO AS STANDARD | THREE BASKET LENGTHS AVAILABLE 750, 950 AND 1250 (MM)



ABOUT WORKSTATIONS: V20 WORKSTATION USING CABLE BASKET | SET UP SUITED FOR SINGLE FREESTANDING OFFICE WORKSTATIONS (WITH DESK MOUNT SCREEN)



TYPICAL SET UP WORKSTATION DESIGN USING CABLE BASKET.
WORKSTATION SET UP SHOWN WITH OUR DESK MOUNT SCREEN. SCREEN PROVIDES PRIVACY ABOVE DESK AND BELOW DESK.

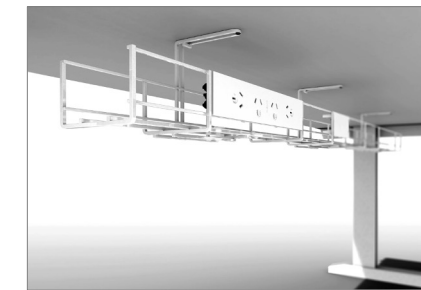
CABLE MANAGEMENT FOR SINGLE FREESTANDING OFFICE WORKSTATIONS:
SINGLE TIERED CABLE BASKETS WITH QUAD GPO AS STANDARD | THREE BASKET LENGTHS AVAILABLE | 750, 950 AND 1250 (MM)

CABLE MANAGEMENT FOR SINGLE / FREESTANDING OFFICE WORKSTATIONS

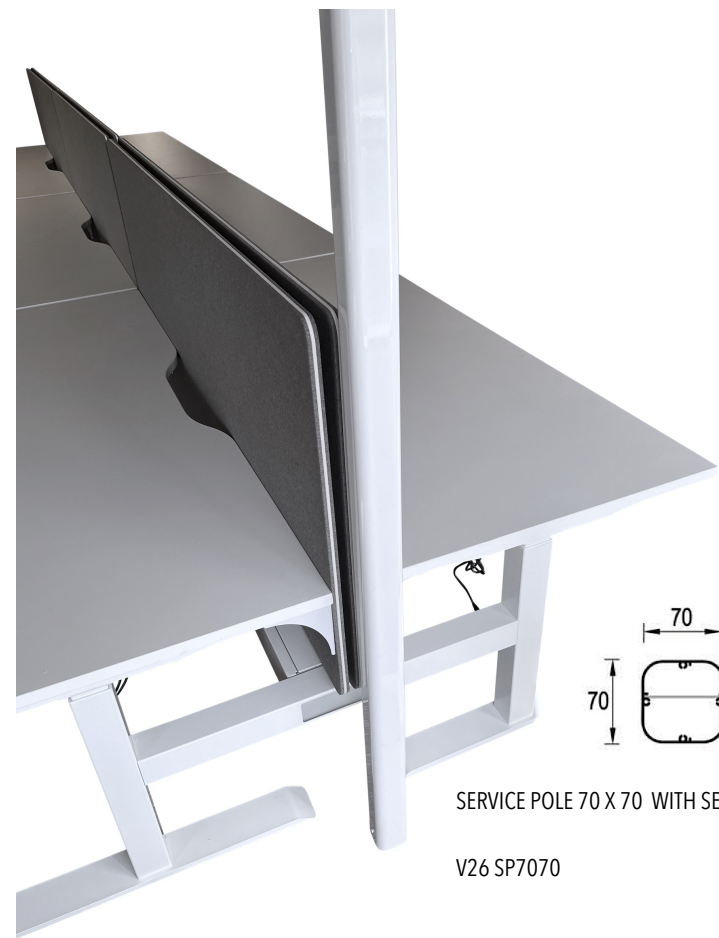
SINGLE TIER CABLE BASKETS FOR SINGLE WORKSTATION SET UP

CABLE BASKET IS FIXED TO UNDERSIDE OF WORKTOP (QUAD GPO AND LEADS AS REQUIRED)

SINGLE OR SHARED BEAMS FOR CABLE MANAGEMENT IS RECOMMENDED FOR A ROW OF WORKSTATIONS



WORKSTATIONS: V25 SERVICE POST

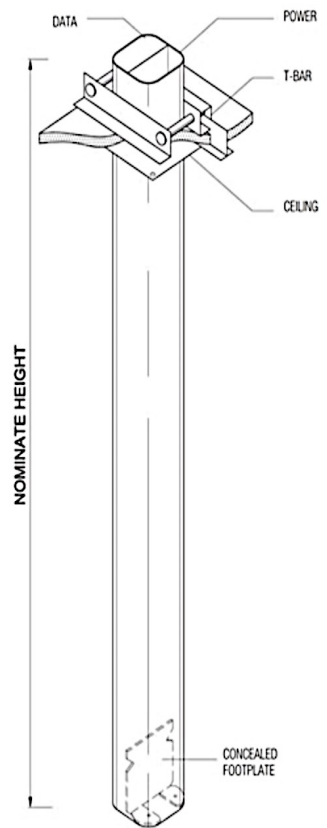


SERVICE POLE 70 X 70 WITH SEPARATION FOR ELECTRICAL AND DATA
V26 SP7070

SERVICE POST FOR CABLE MANAGEMENT

OUR SERVICE POST IS OUR PREFERRED METHOD TO CHANNEL DATA AND SOFT WIRE ELECTRICAL METHOD TO GET CABLING TO WORKSTATION USED GENERALLY LOCATED IN THE OPEN PLAN AREA

EXCLUSION: ELECTRICAL HARDWIRE AND DATA SERVICES BY OTHERS





ABOUT WORKSTATION: V20 DESK MOUNT SCREEN



HOUSE DESK MOUNT SCREEN:

TYPICAL DIMENSION 1800 X 750 / GREY HOUSE FABRIC (SUNDAY FABRIC)

OTHER SIZES TO SUIT REQUIREMENTS BY SPECIAL ORDER / CHOICE OF SUNDAY FABRIC RANGE

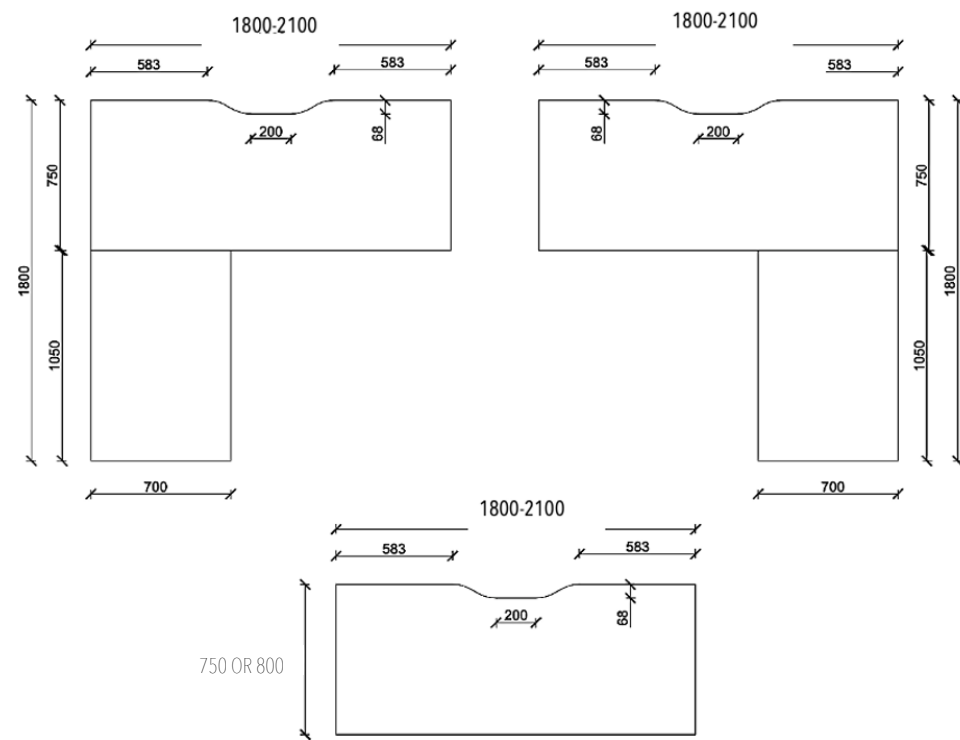
WHITE INSERT AS STANDARD (BACK INSERT WITH LONGER LEAD TIME)

NOTE SCREENS CAN BE FULL LENGTH OF DESK OR FALL SHORT - EXAMPLE 1800MM LONG SCREEN ON 2100MM LONG DESK

LIMITED STOCK OF SIZES OF DESK MOUNT SCREENS: 1500 X 750 AND 2100 X 750



ABOUT WORKSTATION: WORKTOPS WITH SCALLOP CUTOUTS



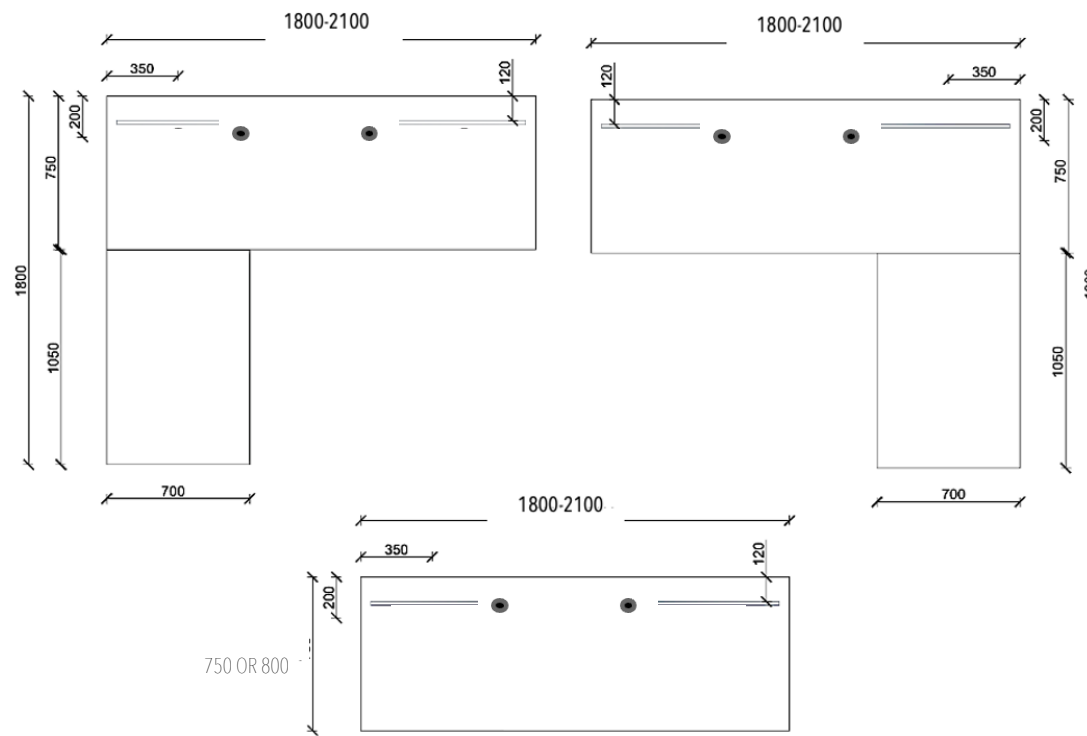
WORKTOP WITH SCALLOP CUTOUT / TYPICALLY SELECTED WITH DESK MOUNT SCREENS

WORKTOP WITH SCALLOP CUTOUT : MOST COMMON DIMENSION STRAIGHT TOP 1800 X 750 OR 1800 X 800

WORKTOP WITH SCALLOP CUTOUT: TYPICALLY SELECTED WHEN PAIRED WITH DESK MOUNT SCREEN

ALLOWS ACCESSORIES SUCH AS DUAL MONITOR ARM WITH CLAMP ON BRACKET TO RETROFITTED ETC

ABOUT WORKSTATION: WORKTOPS WITH CABLE PORTS



CABLE PORTS POSITION INSIDE OF MODESTY PANEL - CABLES DROP INTO CABLE TIDY BASKET

WORKTOPS WITH CABLE PORTS / TYPICALLY SELECTED WITH MODESTY PANEL

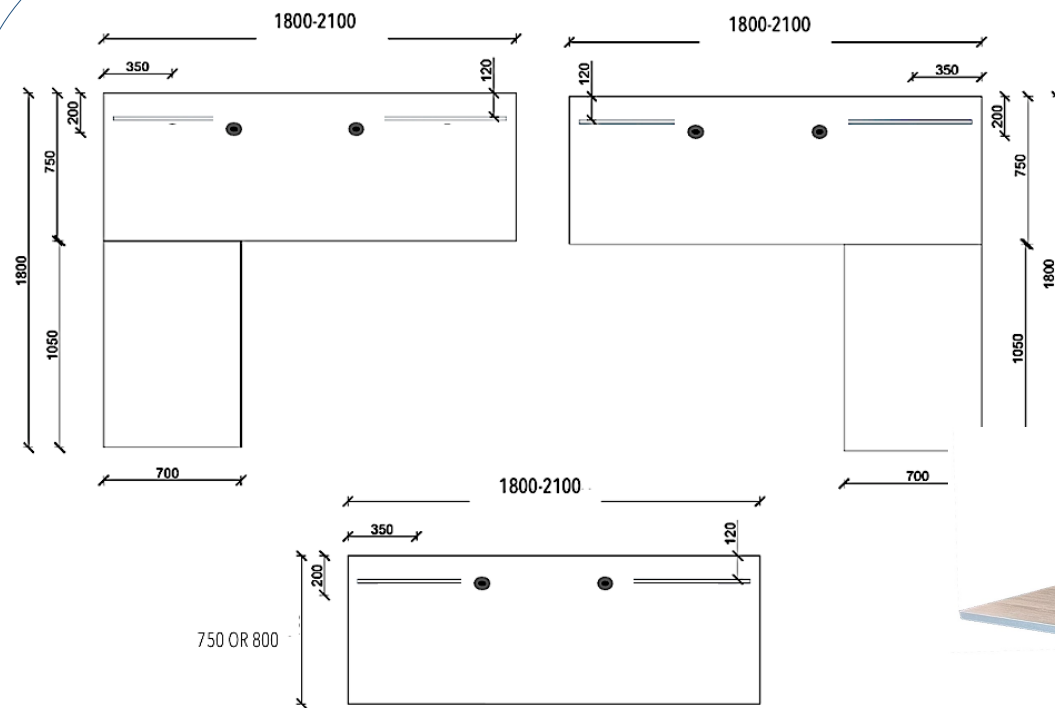
WORKTOP WITH CABLEPORT: MOST COMMON DIMENSION WITH CABLE PORTS 2100 X 800

TYPICALLY PAIRED WITH MODESTY PANEL TO AVOID UNSLIGHTLY CABING IN FULL VIEW

CABLING IS DROPPED THROUGH CABLE PORTS INTO CABLE TIDY BASKET POSITIONED INSIDE OF MODESTY SIZED TO SUIT DESKTOP



ABOUT WORKSTATION: WORKSTATION FOR OFFICES SPECIFIED FINISHES



CABLE PORTS POSITION INSIDE OF MODESTY PANEL - CABLES DROP INTO CABLE TIDY BASKET

WORKSTATION WITH SPECIFIED FINISHES

WORKSTATION FRAMES WITH EXTENDABLE BEAM 1800 TO 2100MM LONG TOPS USING TWO PIECE WORKTOP

MAIN WORKTOP: 1800 TO 2100 X 800 DEEP NOMINAL

OPTIONAL RETURN WORKTOP: 1800 X 700 TYPICAL: UP TO 2100 WITH 750MM OR 800MM DEEP RETURN

WE RECOMMEND 750 MM DEEP RETURN TO INCREASE USER SPACE AND BALANCE OF DESIGN - AESTHETICS

FINISHES FROM LAMINEX / POLYTEC IS ALSO AVAILALBLE (REFER TO BOARD SWATCH AT END OF BROCHURE)

< SHOWN: TYPICAL WORKTOP DIMENSIONS

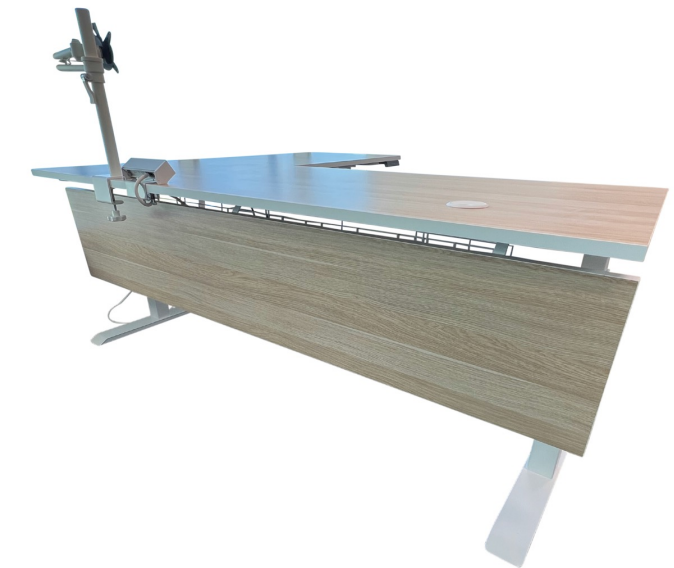


TABLE SIT STAND: SIT STAND FOUR LEG



TABLE S2S FLEG- MEETING TOR COLLABORATION TABLE (HEIGHT ADJUSTABLE)

FEATURES BUILT IN CABLE TRAY - DROP DOWN LID INBUILT

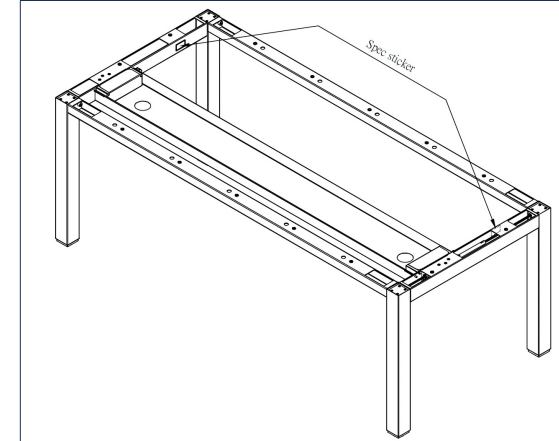
AVAILABLE FRAME COLOURS: WHITE OR BLACK

LEAD-TIME: 4 WEEK LEAD TIME

CHOICE OF TOP FINISHES FROM LAMINEX CORE COLOURS - REFER FINISHES END OF BROCHURE

FITTED TOP: 1800 x 800

TABLE FOR MEETING OR COLLABORATION - SIT STAND



STORAGE FOR WORKSTATION SETUP (AVAILABLE FROM STOCK)

MOBILE PEDESTAL AND MOBILE TAMBOUR CUPBOARD: WHITE
QUALITY POWDER COAT FINISH WHITE ON HEAVY GAUGE METAL. DRAWERS ARE FIRM SHUT. TAMBOUR DOORS ARE SMOOTH AND FIRM SHUT



VX MP-W 3952-600H
390W X 520D X 600H (MM)

#



VX MC-W 0945-610H-LHD
900W X 450D X 610H (MM) LEFT HAND DRAWER



VX MC-W 0945-610H-RHD
900W X 450D X 610H (MM) RIGHT HAND DRAWER

TAMBOUR STORAGE
QUALITY POWDER COAT FINISH WHITE ON HEAVY GAUGE METAL. DOORS ARE FIRM SHUT. TAMBOUR DOORS ARE SMOOTH AND FIRM SHUT



VX TAM-W 9045-1090H
900W X 450D X 1090H (MM)

#



VX TAM-W 9045-1090H /PLANTER
900W X 450D X 1290H (MM NOMINAL) PLANTER BOX



WORKSTATION ACCESSORIES | MONITOR ARMS - ANTI-FATIGUE MAT - DESKOUNT POWER DOCK - PERSONAL SLIDE ON DIVIDERS

IN STOCK OR RESPECTABLE LEAD TIMES



VI-HD MA-W [10KG WEIGHT PER ARM]
DUAL MONITOR ARM WITH 460H (MM) POST
OPTION POST 710H (MM) OR 1000H (MM)



VI-SPLIT MA-W [10KG WEIGHT PER ARM]
DUAL MONITOR ARM SHOWN (SINGLE OR DUAL)
PATENTED SPRING MECHANISM



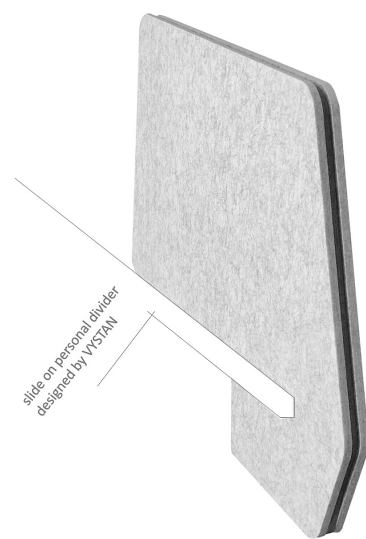
BLACK ANTI-FATIGUE MAT BEVELLED EDGE 750 x 460 (MM)
PATENTED KICK-PAD (ALLOWS YOU TO KICK INTO POSITION)
HIGH DENSITY SINGLE CUT 100% POLYURETHANE (1 YEAR M/WARRANTY)



P/DOCK2GPO
DOUBLE GPO



P/DOCK 2GPO+2USB
DOUBLE GPO, ONE STANDARD USB AND ONE FAST USB



slide on personal divider
designed by VYSTAN

PSOD-GREY (PERSONAL SLIDE ON DIVIDER 420MM ABOVE DESK O/ALL)
FEATURES THREE PIECE SANDWICH ACOUSTIC PANEL



THE FOLLOWING PAGES – WORKSTATIONS, STORAGE AND ACCESSORIES

Product information

Soft-wiring Warranty Product care Limitation

LIMITATION: WORKSTATIONS

- Do not sit or lean against sit stand workstation worktops
- Prolong use of sit to stand controller will result in error message.
- Please contact your Facilities Officer or contact our office for operation of the Sit Stand Workstations

WARRANTY: MANUFACTURE BACKED WARRANTY

- Maintenance is required to promote safe use and trouble-free operation of your furniture
- Please report unusual noises or faults to your Facilities Officer (NT Government)
or contact our office advising name, location (building and floor level) and problem - by email thanks :
SALES@VYSTAN.COM OR TEL: (08) 89417774

SOFT-WIRING PRODUCT INFORMATION –

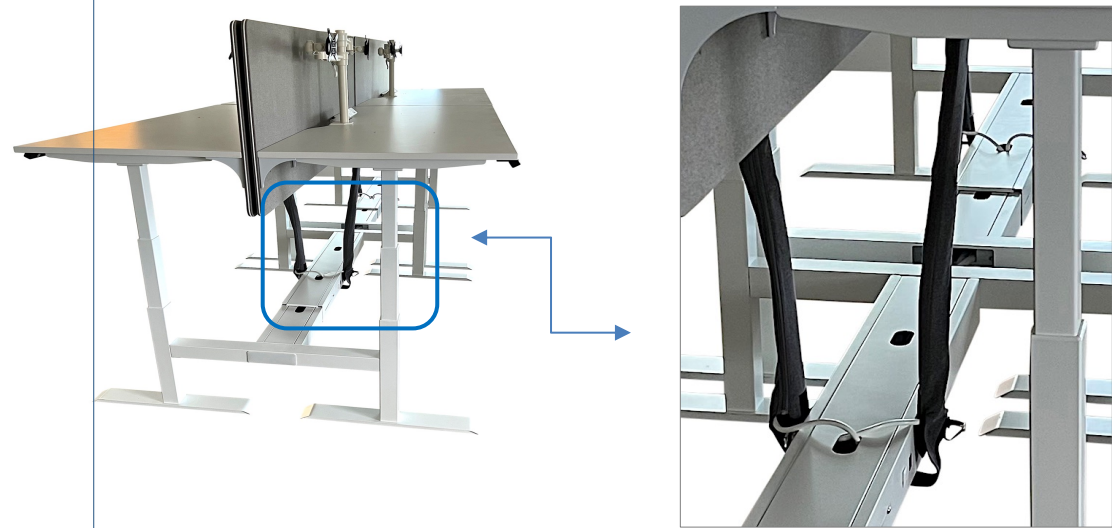
- Details provided on the next page



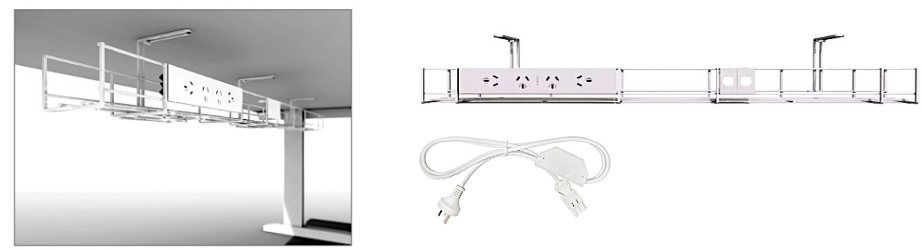
ABOUT WORKSTATIONS: SOFT-WIRING EXPLAINED...

SOFT WIRING PACKAGE SET-UP

SOFT WIRE PACKAGE WORKSTATION SET UP: WITH SINGLE OR SHARED BEAM QUAD GPO AND TWO DATA CUT-OUT PLATES IF REQUIRED MOUNTED ON THE BEAM WITH LEADS (WITH FABRIC UMBILICAL SOCK WHERE SINGLE OR SHARED BEAM IS PART OF THE WORKSTATION FRAME)



SOFT WIRE PACKAGE FOR SET UP AS SINGLE FREESTANDING OFFICE WORKSTATION: CABLE BASKET WITH QUAD GPO AND TWO DATA CUT-OUT PLATES IF REQUIRED, AND LEADS TO SUI



Soft-wiring

SOFT WIRING FOR CABLE MANAGEMENT

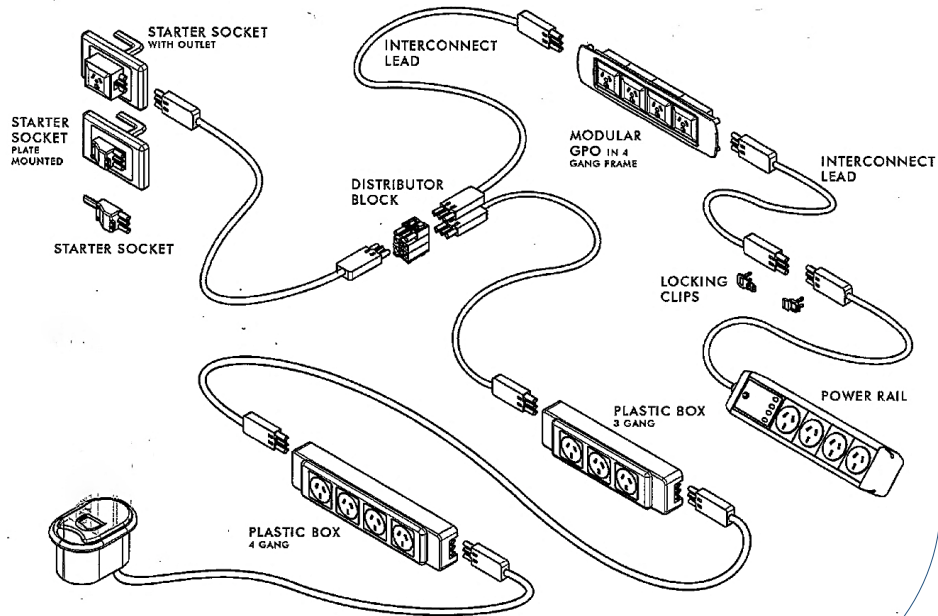
SERVICE POST IS GENERALLY SUPPLIED AS PART OF OUR WORK. TO ENABLE CABLING TO WORKSTATION. THIS IS A SIMPLE AND EFFICIENT METHOD TO GET POWER TO THE WORKSTATIONS...

STARTER SOCKETS (SURFACE MOUNT - SIDE ENTRY 20A) WE PROVIDE TO ELECTRICIANS STARTER SOCKETS. THE TERMINATION OF AND CONNECTION TO ALL STARTER SOCKETS MUST BE PERFORMED BY A LICENSED ELECTRICIAN.

EXCLUSION: DATA AND HARD WIRE ELECTRICAL IS ALWAYS BY OTHERS.
INCLUSION: SOFT-WIRING TO THE WORKSTATIONS.

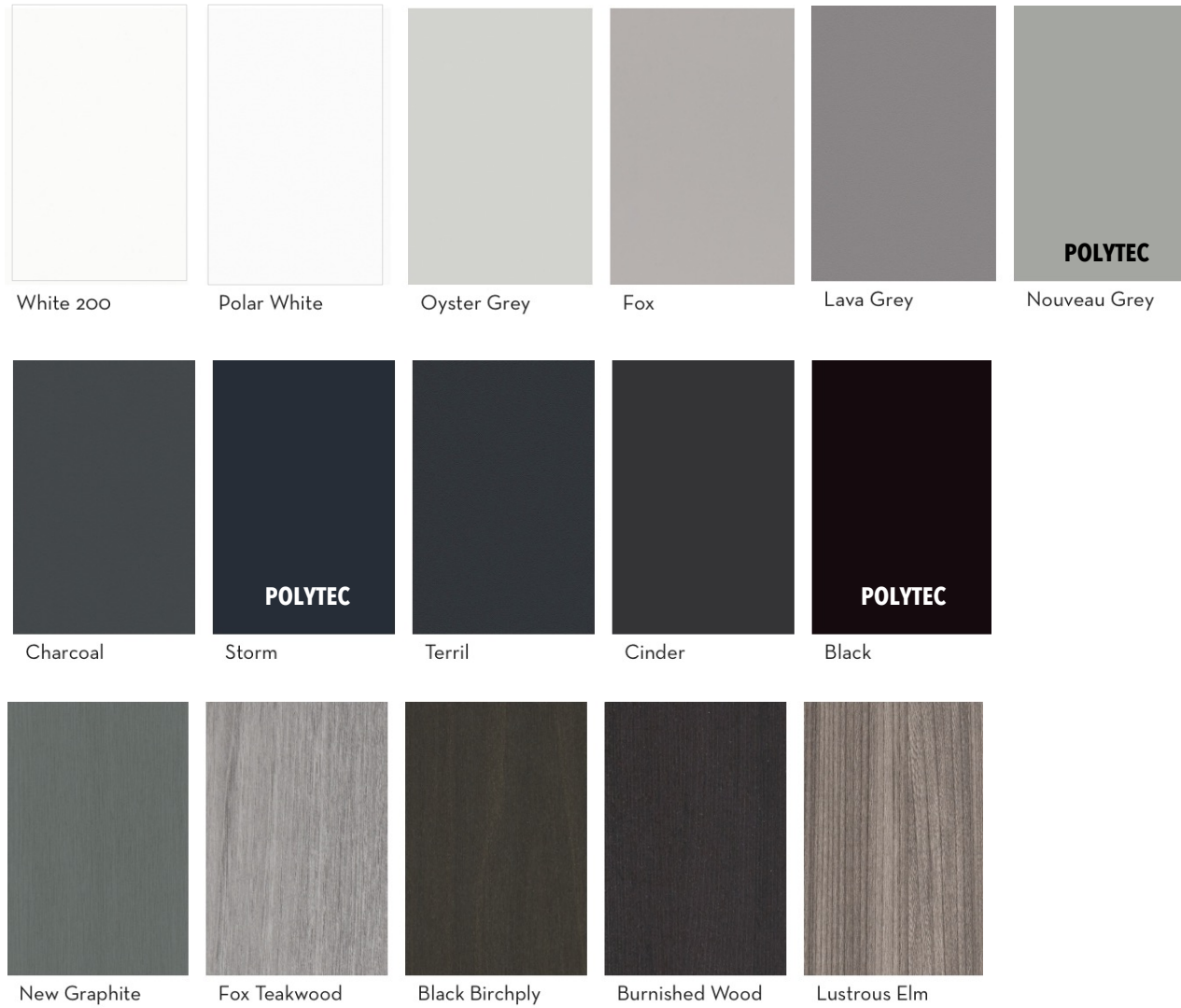


SOFT-WIRING IS A MODULAR WIRING 'PLUG AND PLAY' SOLUTION, DESIGNED TO POWER COMMERCIAL AND WORKSPACE ENVIRONMENTS.



AVAILABLE FINISHES...STANDARD RANGE

FINISHES (LAMINEX EXCEPT WHERE LABELLED AS POLYTEC):



Finishes - Board: Laminex & Polytec



AVAILABLE FINISHES... STANDARD FINISHES

Finishes - Board: Laminex & Polytec

FINISHES (LAMINEX EXCEPT WHERE LABELLED AS POLYTEC):



CONTACT US

VYSTAN INTERIORS – SERVICING DARWIN AND NT REGIONAL CENTERS

We specialize in the supply and installation of system furniture: workstations, desk mount screens, accessories, workstation storage (and office seating).

...if you have a question or two, we welcome your call...

TEL: (08) 89417774

EMAIL: SALES@VYSTAN.COM

