

BY VYSTAN

VX MONITOR ARM



BY VYSTAN

# VX MONITOR ARM

## VX MONITOR ARM



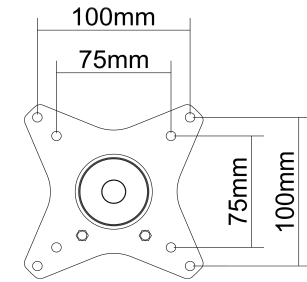
WHITE



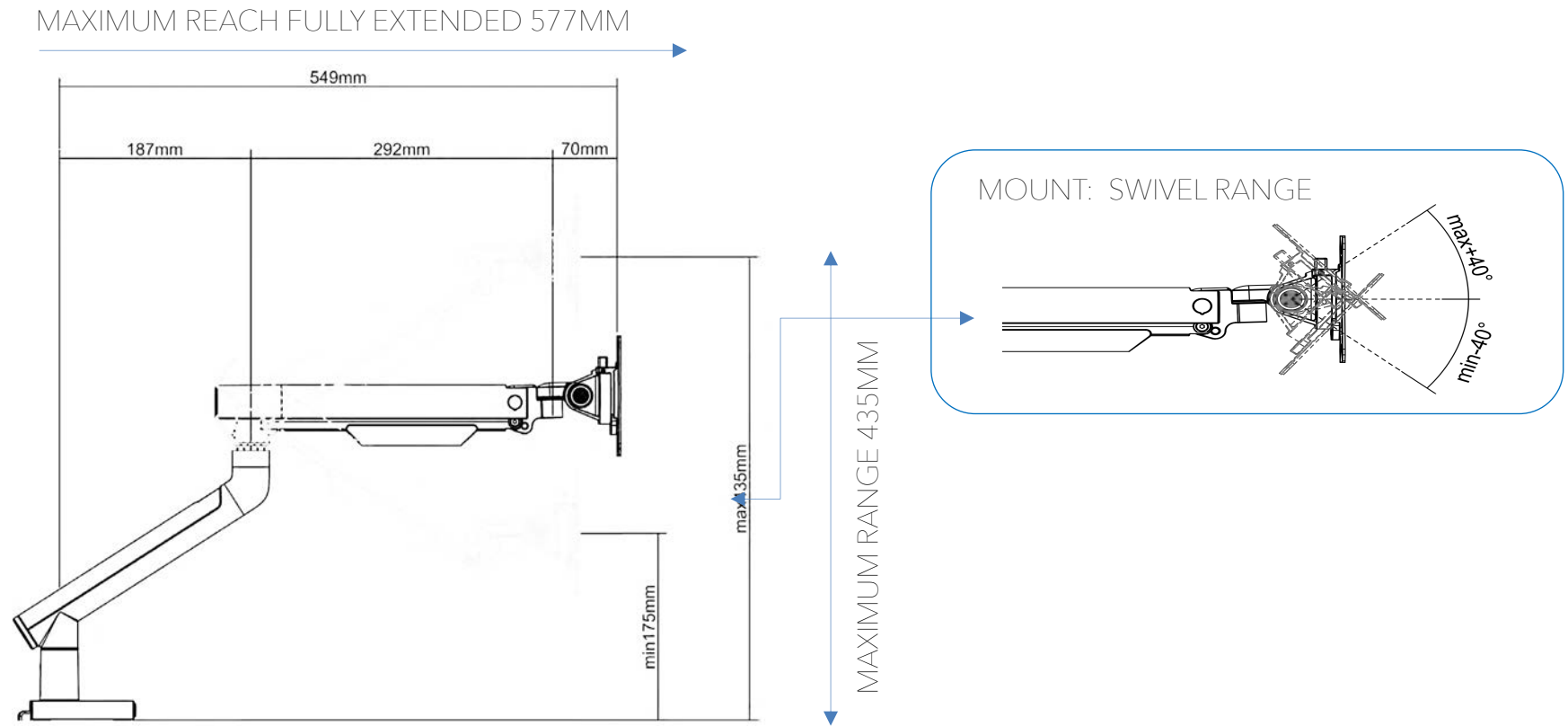
BLACK

BY VYSTAN

# VX MONITOR ARM



# VX MONITOR ARM



Reach 549mm; height 435mm +/-80 degrees tilt; +/-90 degrees pivot  
 Quick release, 75mm and 100mm VESA mount compatible  
 Cable Management above and below  
 Weight rated per arm (2 to 9KG maximum)  
 Rotation Stock 90 degree or 180 degree stock

# VX MONITOR ARM

VX Monitor Arm:

Our single arm concept allows for unrestricted placement on desktop to suit the size of the monitor

For dual monitor arm requirement, order two single arms...

Details:

: weight rated to 9KG per arm.

: built in spring tension

: built in rotation stop  
(automatically prevents interference with walls or desk mount partitions...)

: broad range of pivot points combined with adjustable heights enable user to customized preferred setup

: the screen has a height adjustment of 260mm from lowest to highest point for the ideal user focal length  
(rotation of screen is a full 180° around the pole...)

: optimum viewing angle can also be achieved with an 80° tilt and a pan of 180°

: finish in white or black

: mounting is desk clamp or bolt through

: manufacturer backed warranty of seven years

BY VYSTAN

VX MONITOR ARM

